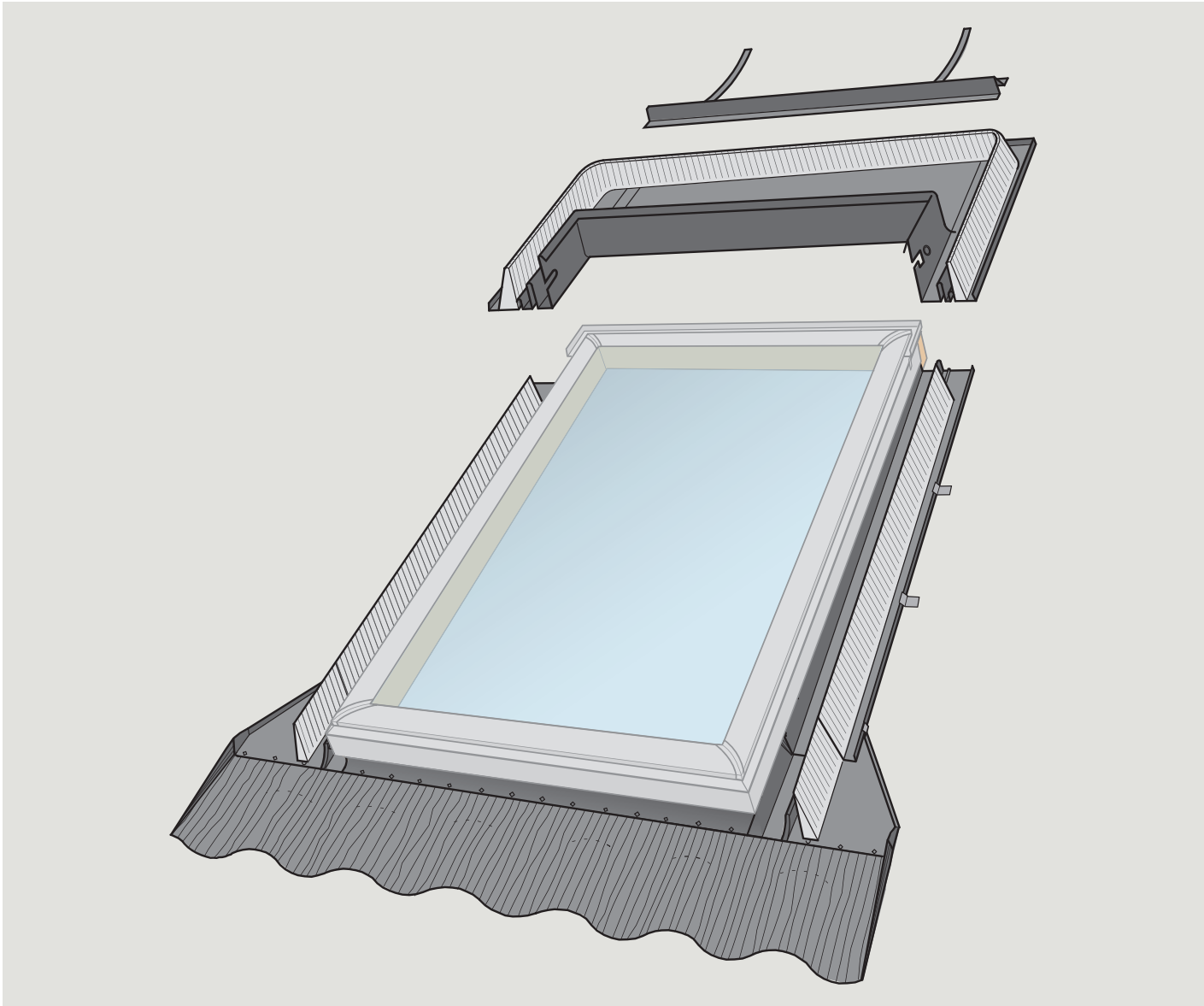


# EDW + FS, VS, VSE, VSS



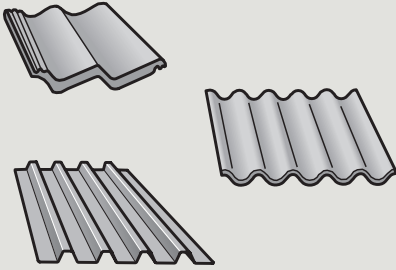
**EDW Deck Mounted Skylight Flashing Installation Instructions**

For use in AU and NZ  
Por uso en AU y NZ  
Pour usage dans AU et NZ  
瓦用施工説明書

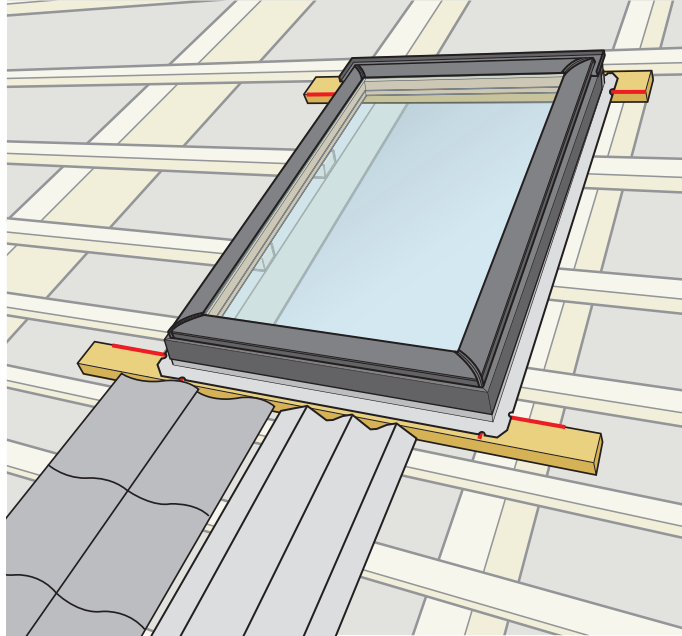
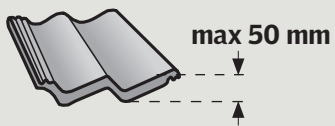


## Flashing procedure for tile or metal roofs

**FS, VS, VSE**



**VSS**

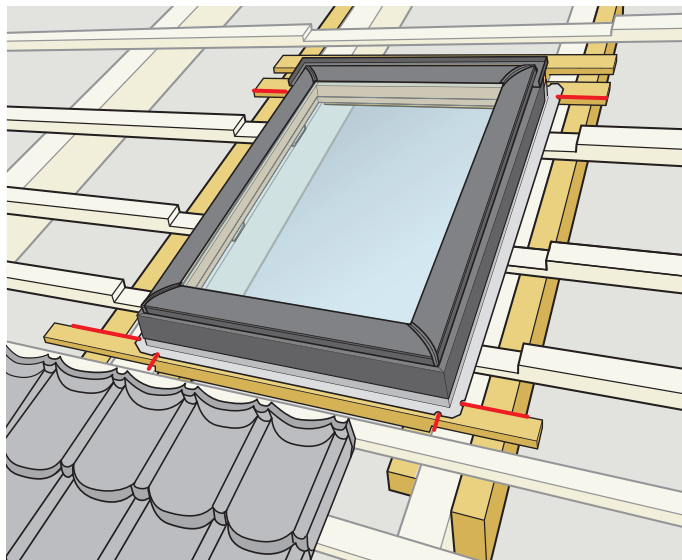
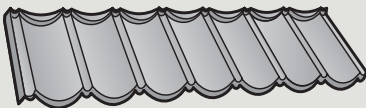


**Pages  
3-9**

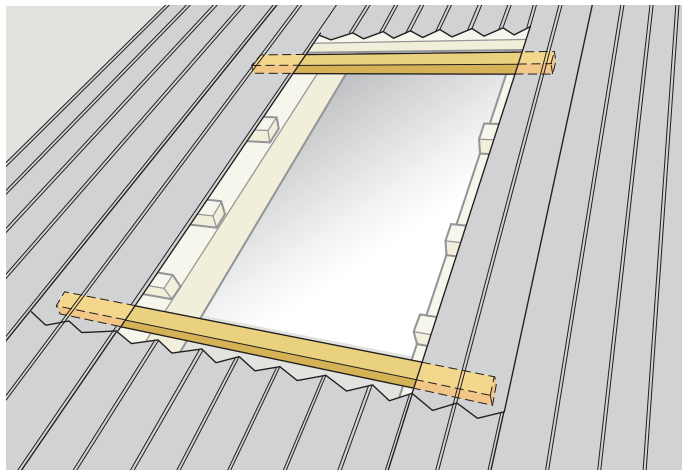
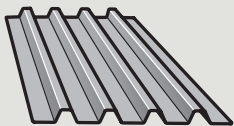
**DECRA®**

**HARVEY™**

**CORONA®**

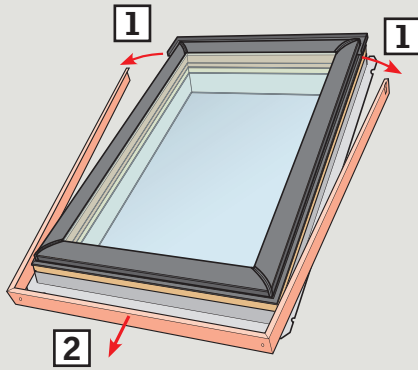


## Flashing procedure in existing metal roofs



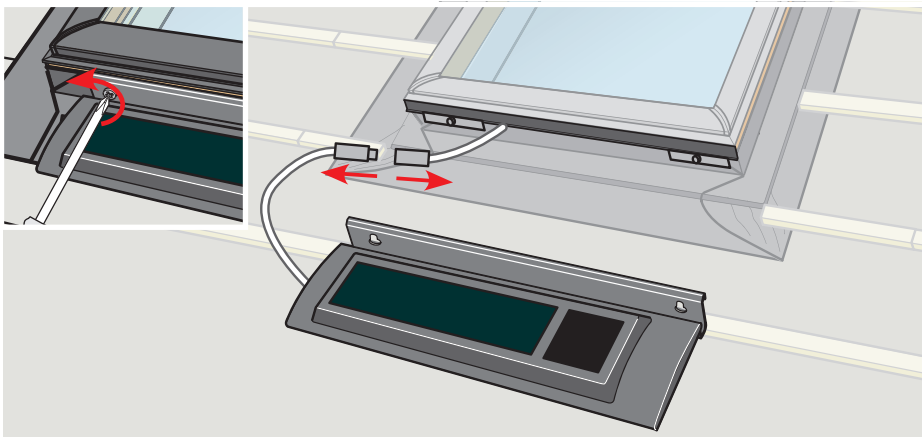
**Pages  
10-11**

1



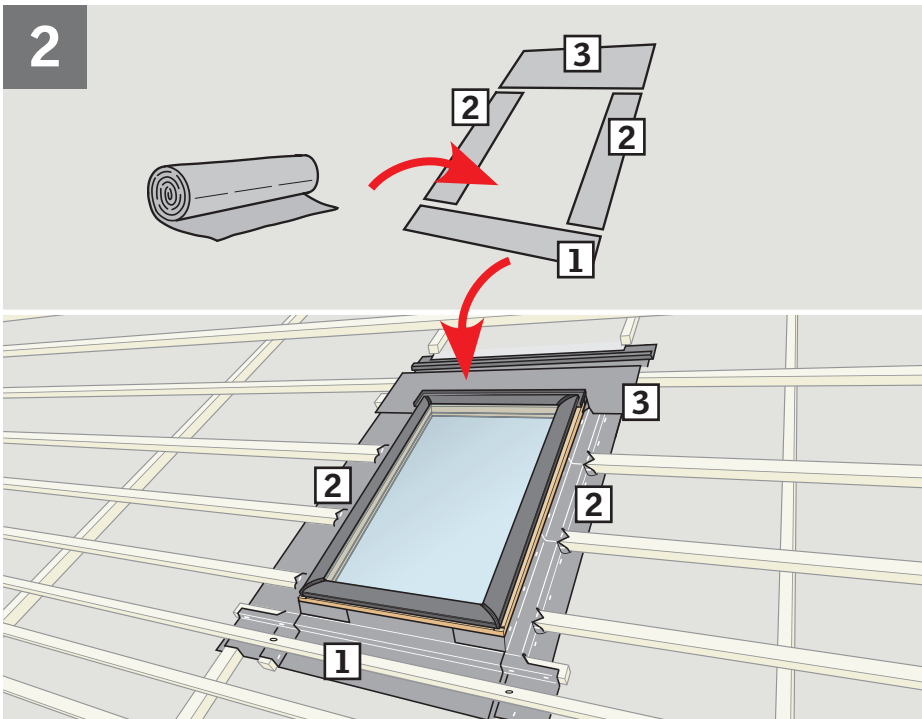
Remove cladding as shown 1, 2.

VSS



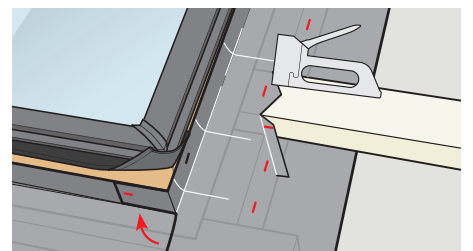
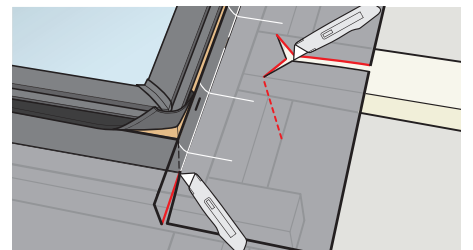
If already installed temporarily, disconnect solar panel from bottom frame.

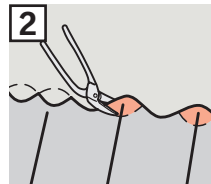
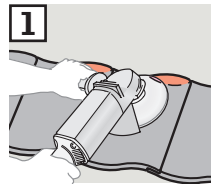
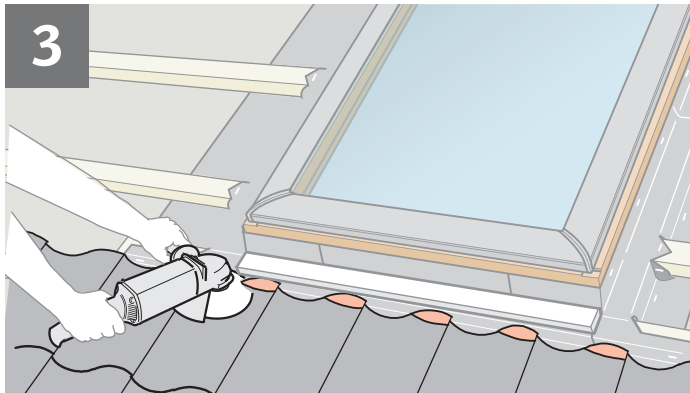
2



If roofing underlay is used (provided by installer): Dress roofing underlay up around all four sides of the frame.

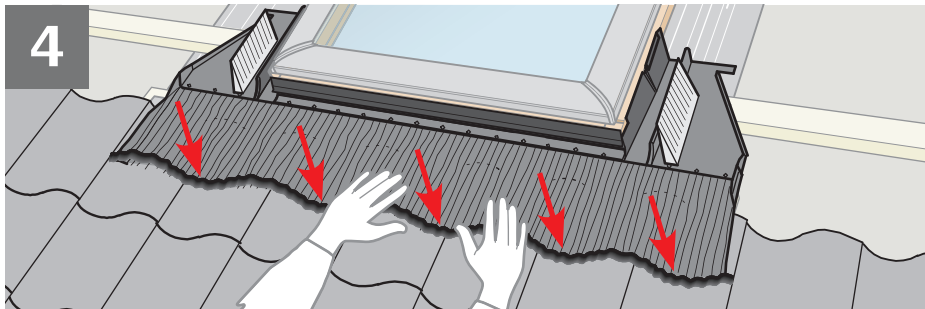
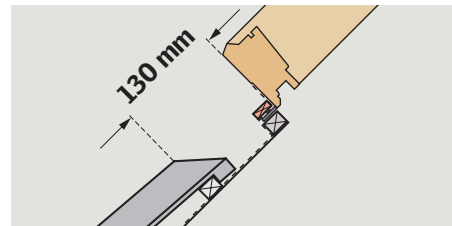
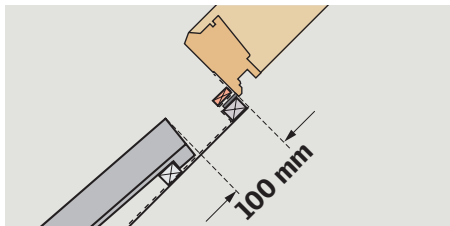
**Note:** Roof with counter battens is shown for illustration purposes.





Chamfer tiles **1** or metal roof **2**, if necessary.

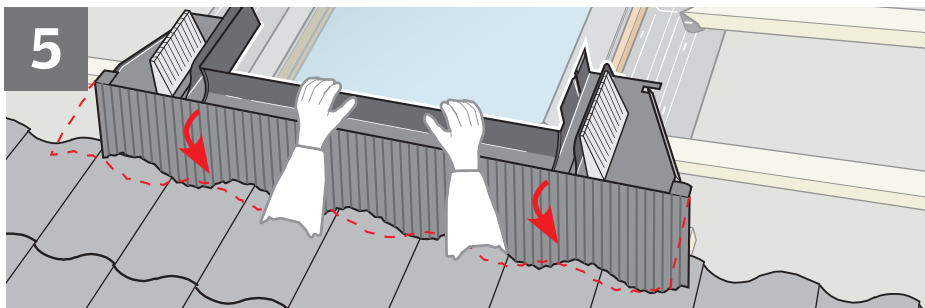
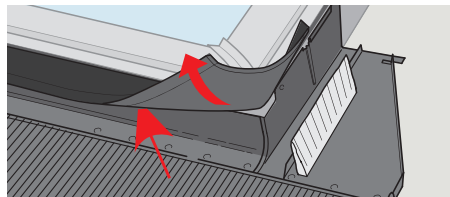
Install support battens for the bottom flashing. This will ensure correct drainage of water off the bottom flashing.



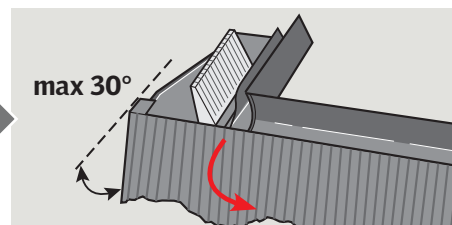
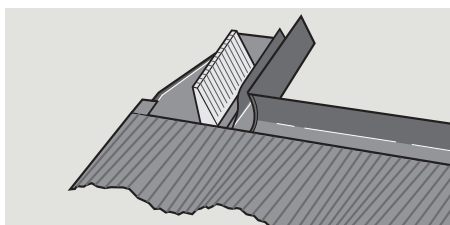
Position bottom flashing section temporarily and dress apron over roofing material.

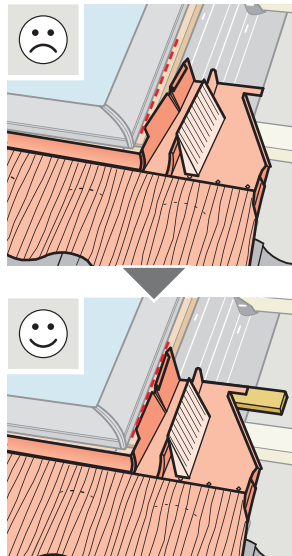
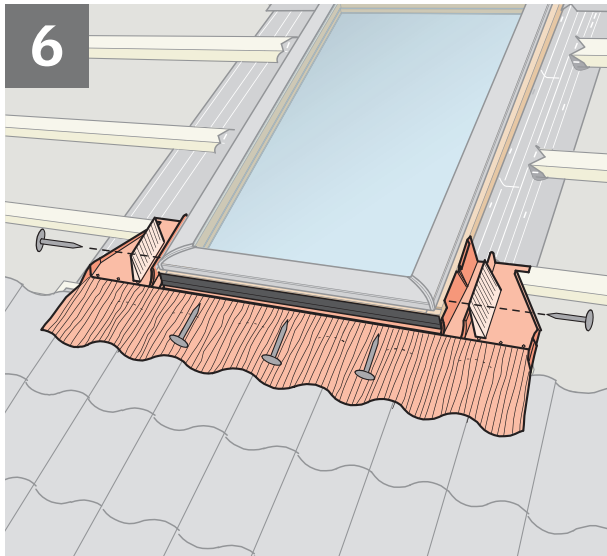
**Note:** The bottom flashing section can be placed behind the rubber gasket temporarily.

Be careful not to tear or damage the gasket.



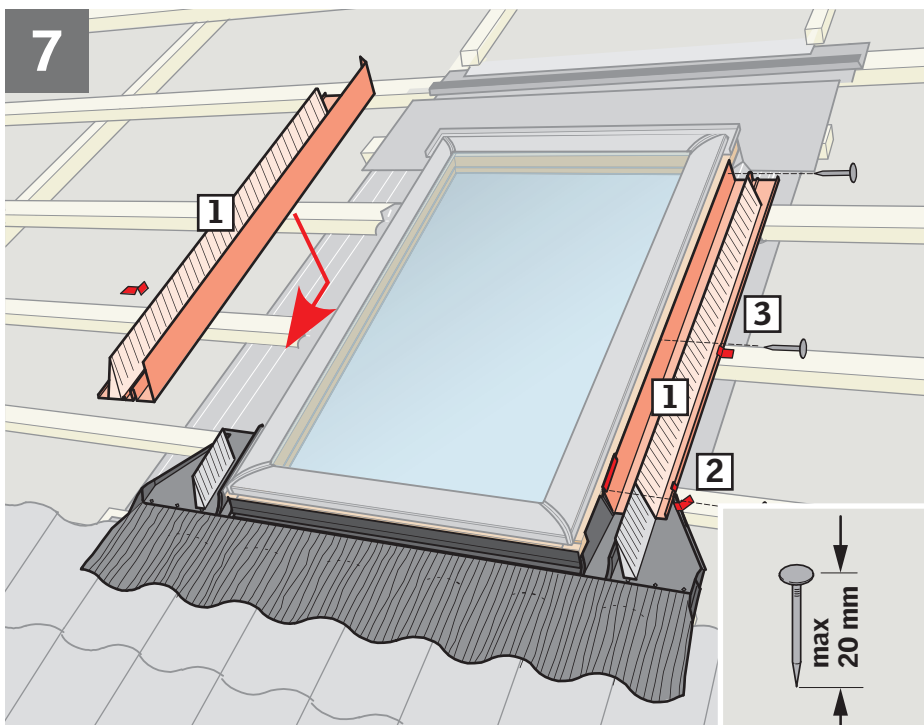
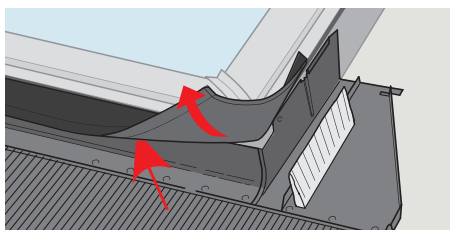
After fitting the apron to the roofing material, give the apron a "down bend" as shown. This will ensure that the apron lies tight against the roofing material.





Secure bottom flashing section to skylight using the nails provided. Install support battens at bottom flashing sides, if necessary.

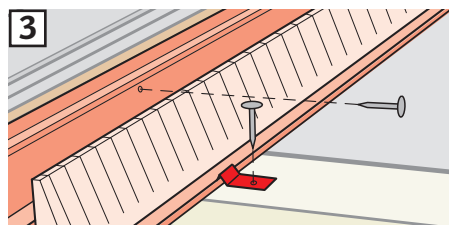
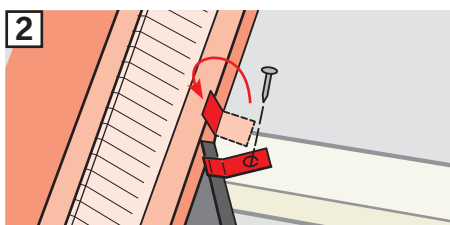
**Note:** The bottom flashing section must be placed behind the rubber gasket. Be careful not to damage the gasket.



**1** Slide side flashing sections to interlock with bottom section.

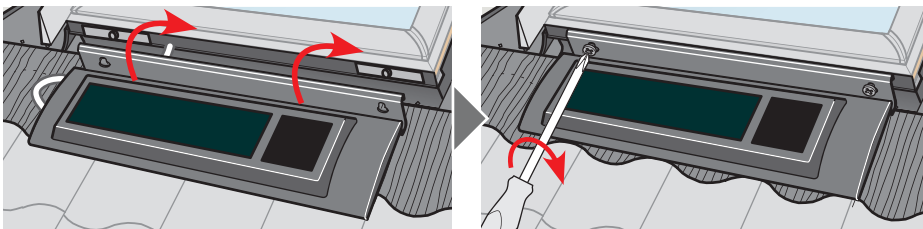
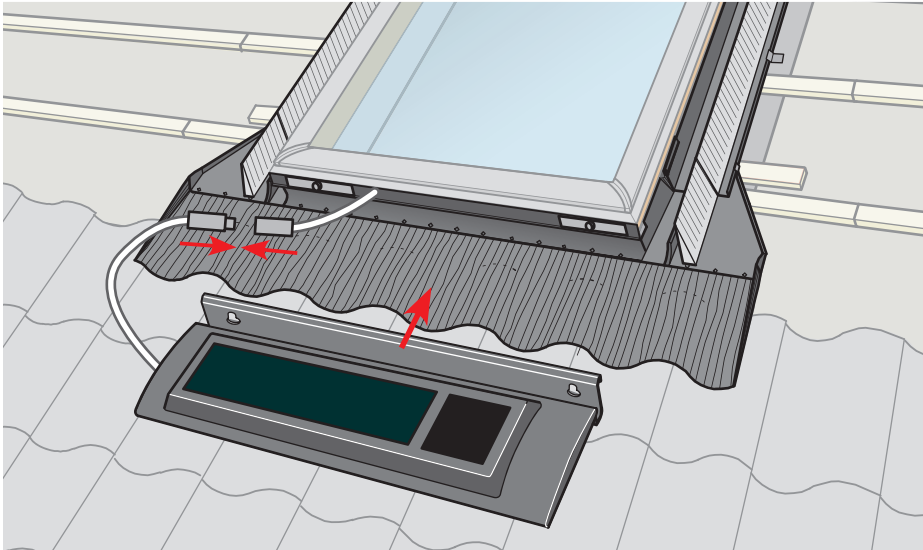
**2** Bend over flap and pin bottom flashing section to batten/underroof to secure.

**3** Fasten side flashing sections to frame and battens with roofing nails provided.



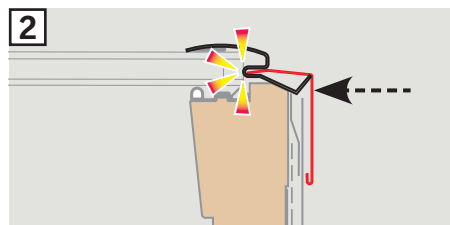
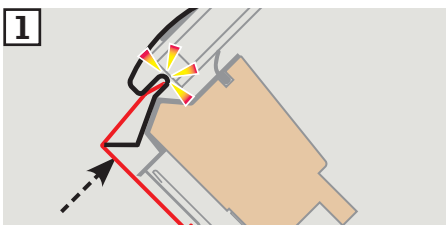
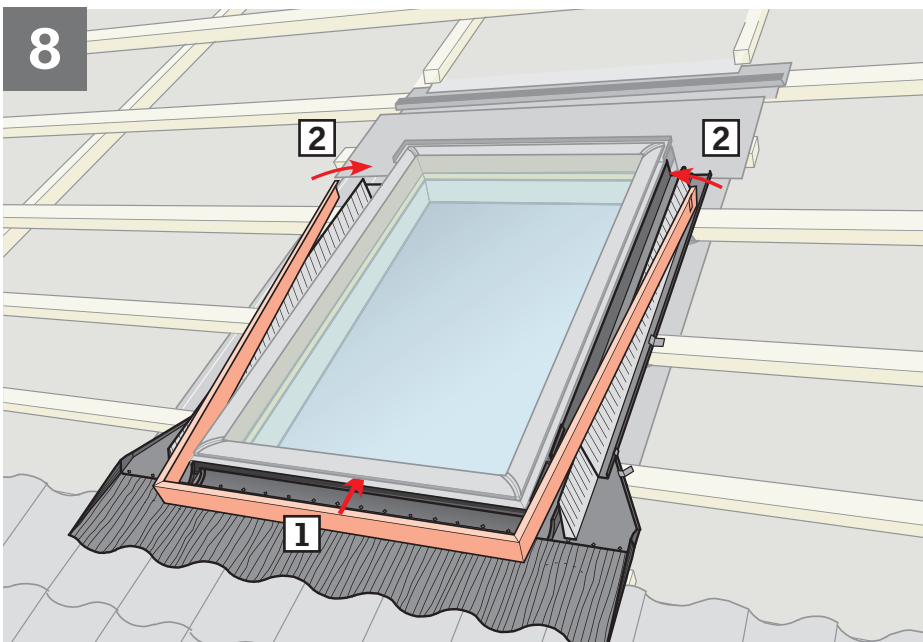
VSS

Install solar panel as shown and secure the screws.

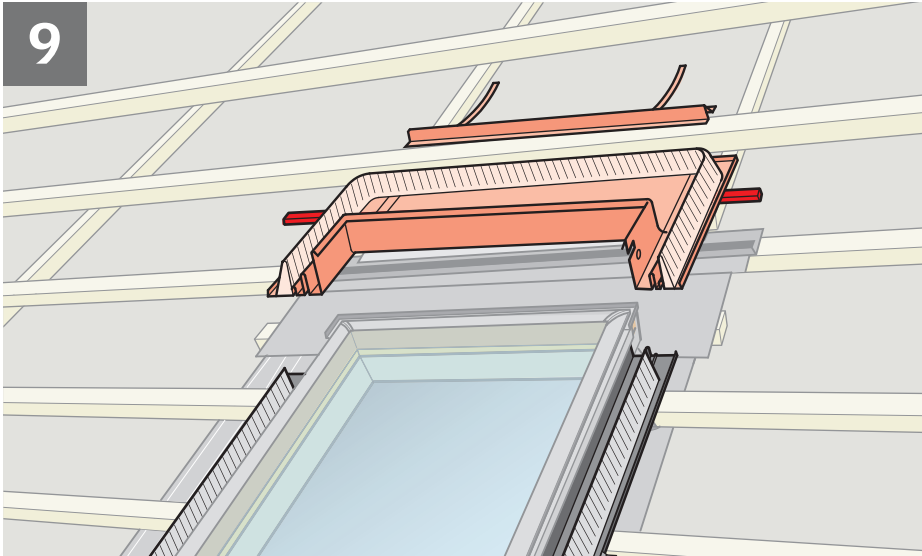


8

Replace cladding as shown.



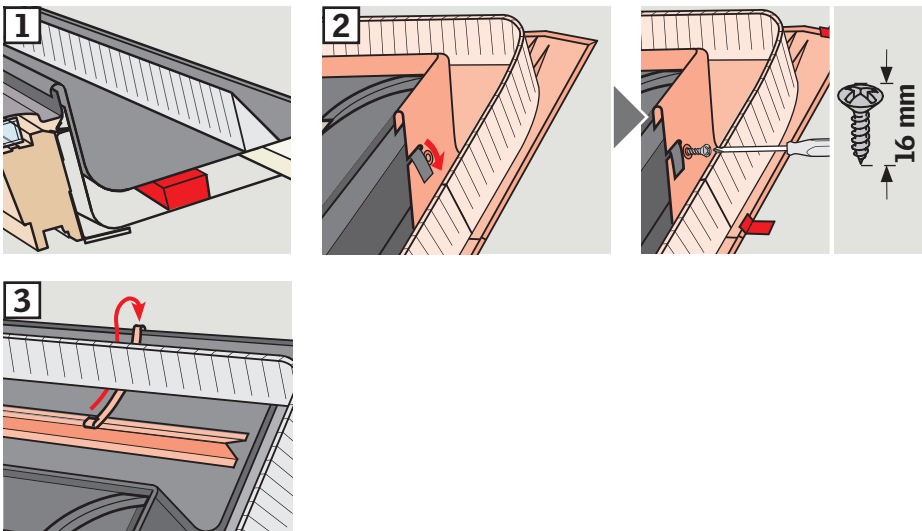
9



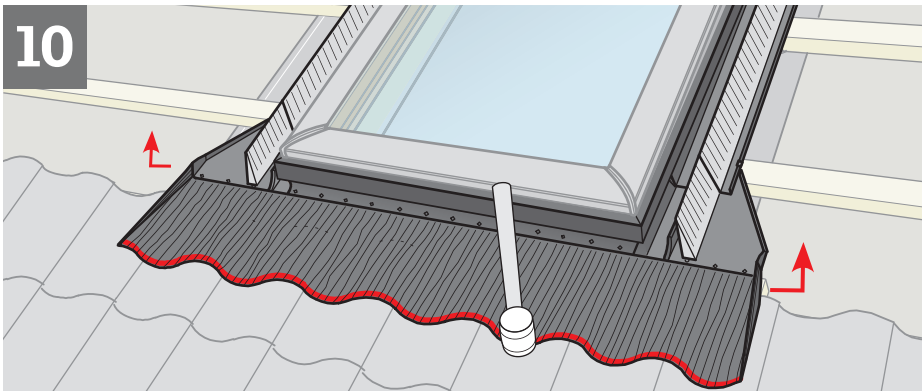
- 1 Install extra batten above the skylight to support the saddle flashing.
- 2 Attach the saddle flashing by engaging and bending flaps as shown and secure with clips, if necessary.

**If tiles:**

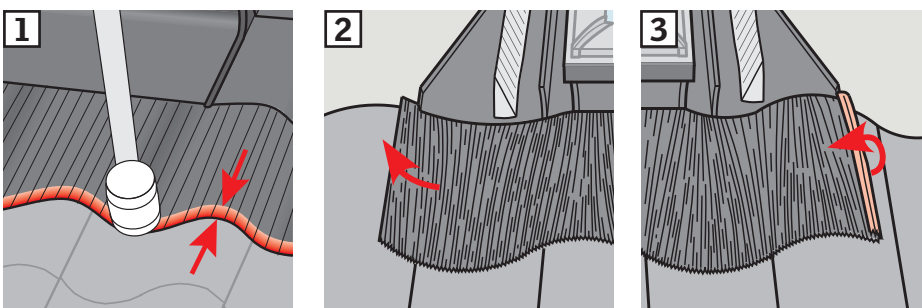
- 3 It may be necessary to install the optional tile support supplied with the flashing.



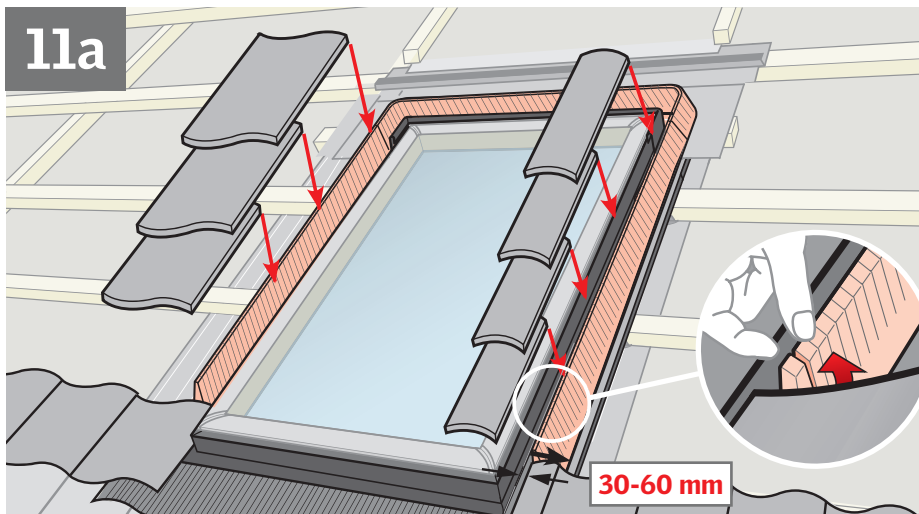
10



- 1 Flatten down bottom edge of apron over roofing material as shown.
- 2 Stretch out pleats.
- 3 Fold ends of apron over to form a water return.



## Flashing procedure for tiles only

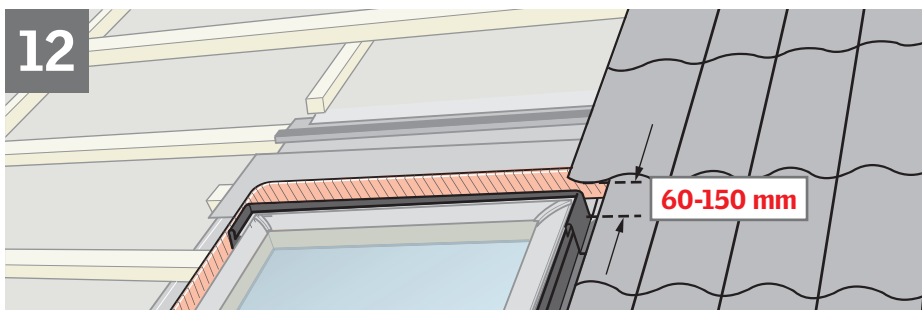
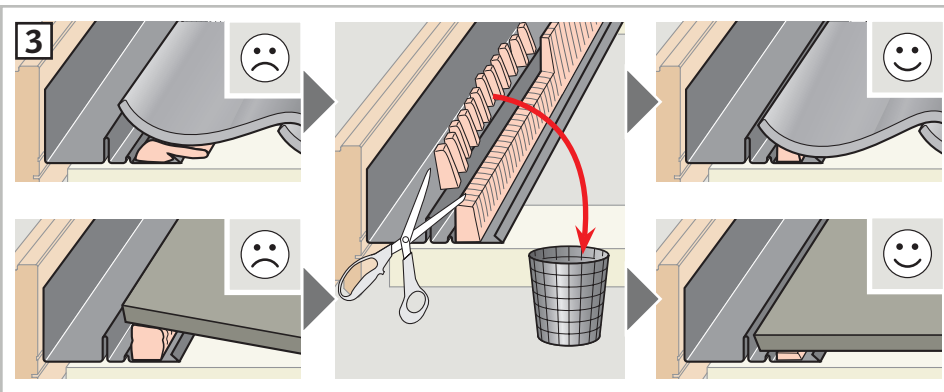
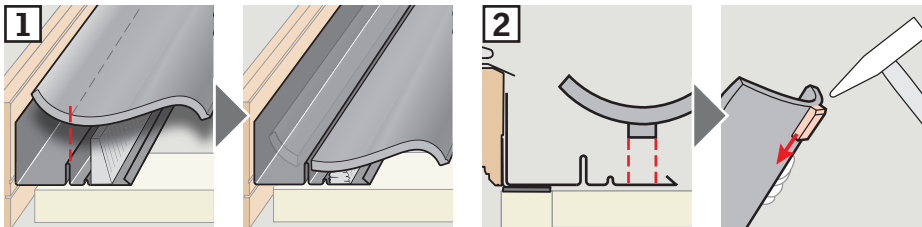


Install tiles.

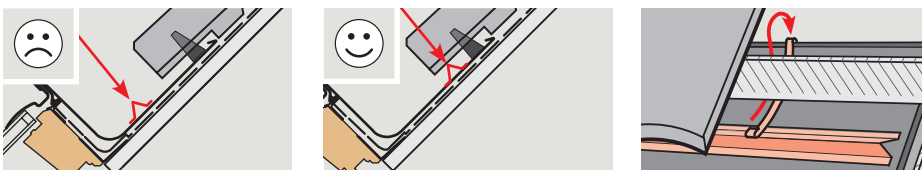
Maintain distance to frame as shown and arrange the foam gasket to fit tight above each tile.

Make sure that the tiles lie correctly, and if necessary:

- 1 Cut tiles.
- 2 Remove a nib from the tile and flatten down the upstand around the battens.
- 3 Trim foam gasket.

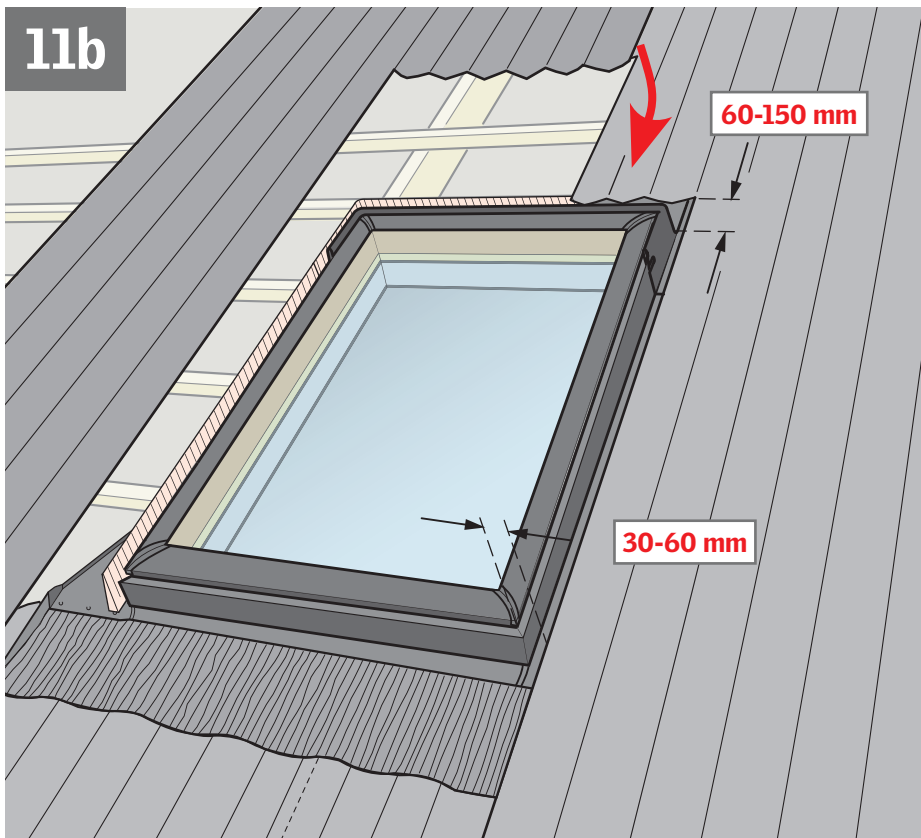


Maintain distance to frame as shown; cut tiles, if necessary. Trim foam gasket to fit tiles. Adjust the tile support and bend strips to hold it in place.





## Flashing procedure for metal roofs only



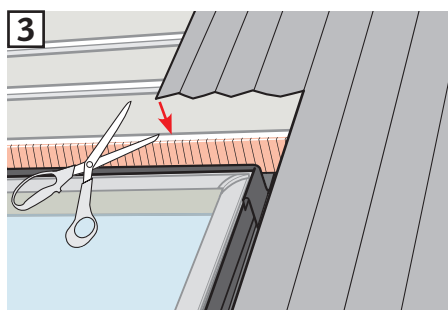
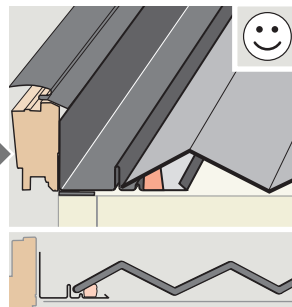
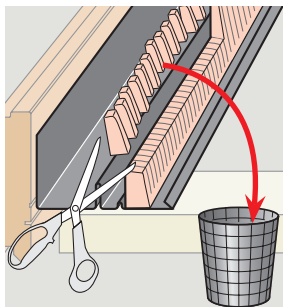
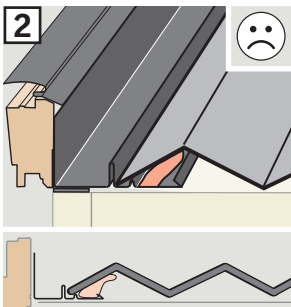
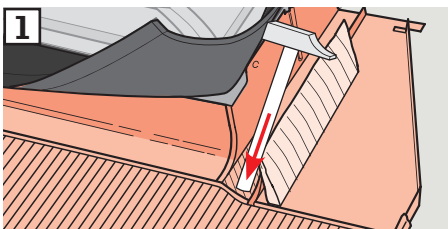
Fit and secure the metal sheets maintaining a distance of 30-60 mm at the sides and 60-150 mm at the top.

To ensure that the metal sheets lie correctly, it may be necessary to:

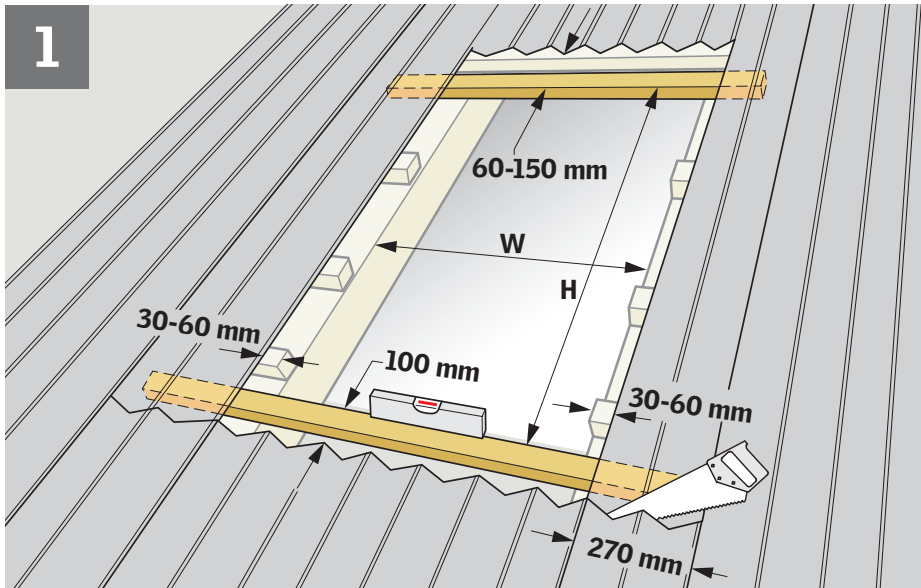
1 Flatten down the flashing where it meets the apron to the level of the top of the batten.

2 Trim foam gaskets at sides and at the top 3.

**No nails or screws must penetrate the flashing.**

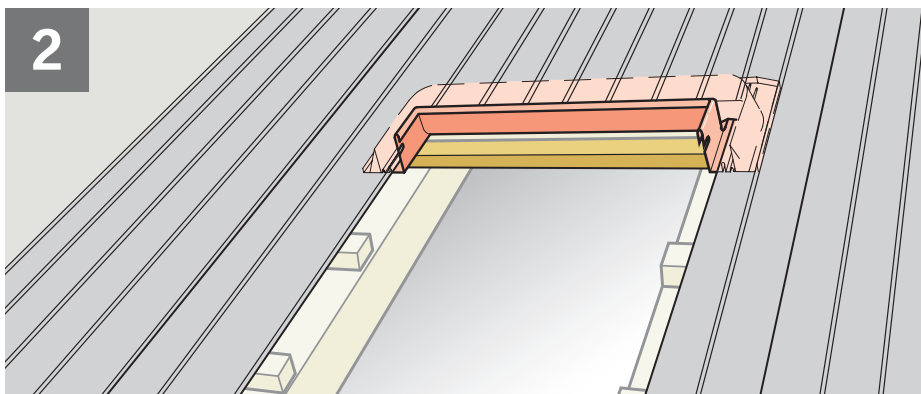
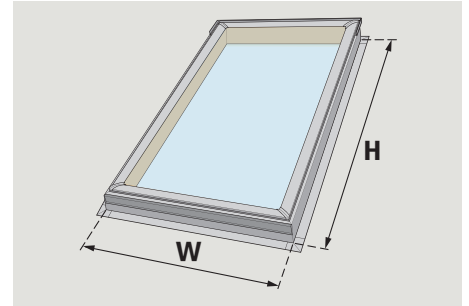


## Flashing procedure in existing metal roofs



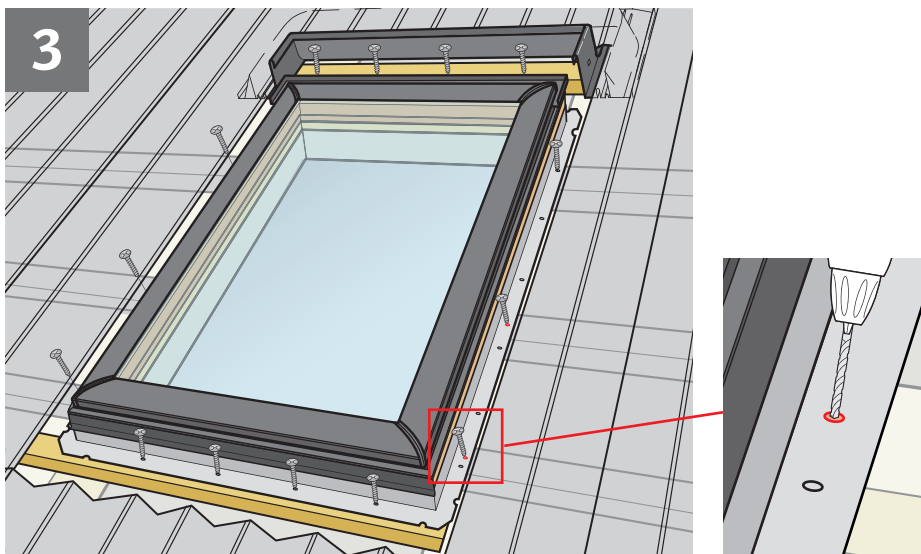
Cut the metal sheets maintaining the correct distance from the course of metal sheets to skylight frame. Overcut at both sides below skylight to allow for full width of apron to come through metal sheet.

**Note:** The cut must end on top of the highest point of the profile.



Fit top flashing section under the existing metal roof before positioning the skylight.

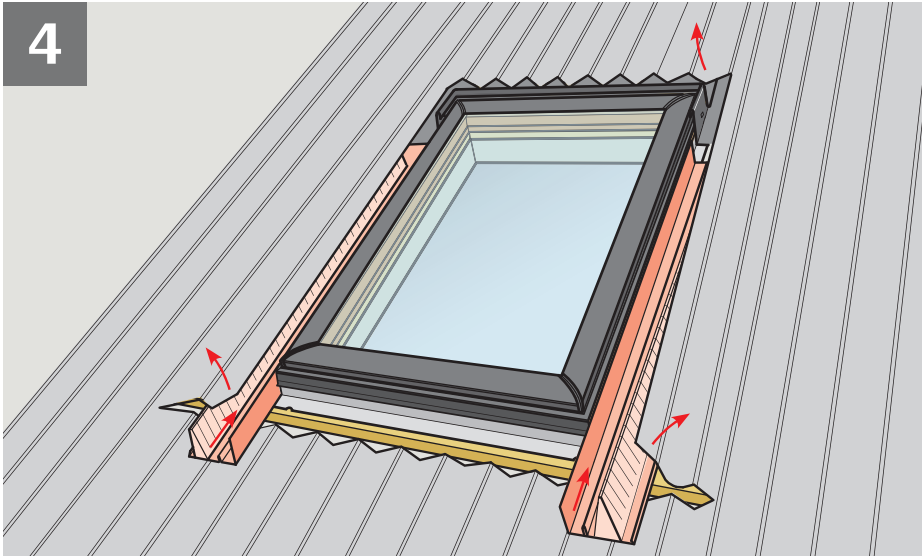
Take care to maintain 30-60 mm distance from sides of frame to metal roof, 100 mm below and 60-150 mm above skylight.



Check level at the bottom and secure the skylight to the battens with screws.

**Note:** Drill new holes if existing holes do not align with the battens.

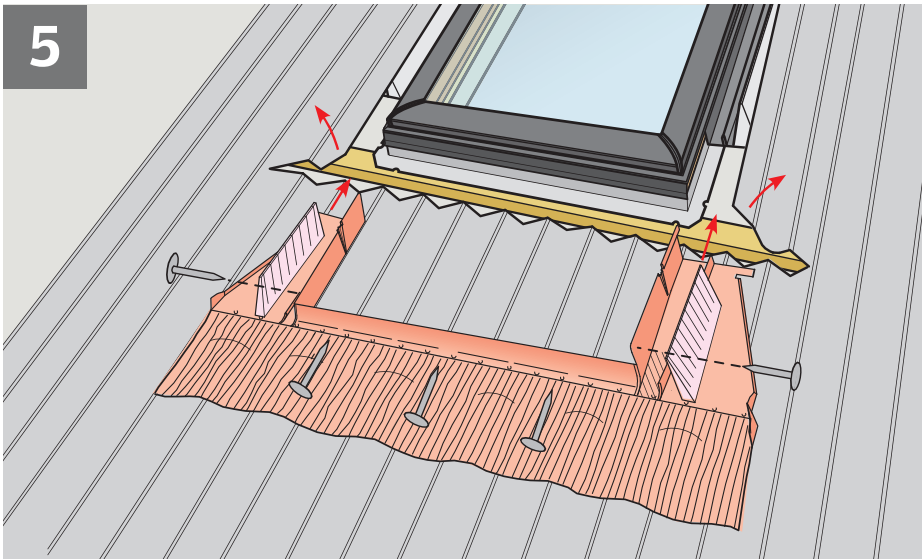
4



Fit the side flashing sections under the existing metal roof and under the top flashing section.

**⚠** Make sure that the metal sheets and all the flashing parts are supported by battens/purlins.

5

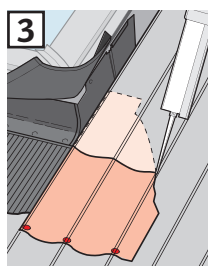
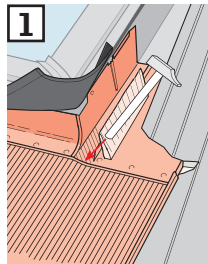
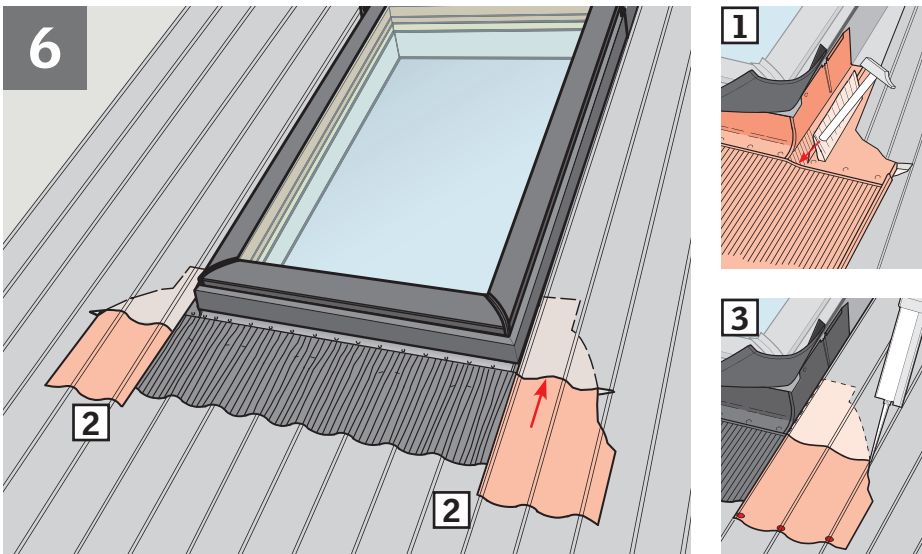


Cut foam down to level of underside of metal roofing to ensure that roofing lies flat.

Fit the bottom flashing section under the existing metal roof and side flashing section and nail this to the frame. To ensure the apron lies tight against the roofing material, give the apron a "down bend" after fitting it to the roofing material, see page 4 step 5.

Replace the frame coverings and secure the top flashing section.

6



**1** Flatten down the flashing area at the bottom corners to the level of the battens.

**Note:** The bottom flashing section can be placed behind the rubber gasket temporarily. Be careful not to tear or damage the gasket.

**2** Shape a filler piece from the cut-out for the skylight and fit this tight into the overcut.

**3** Fasten the filler piece with rivets and seal with silicone.

**No nails or screws should penetrate the flashing.**



**AUS:** VELUX Australia Pty. Ltd  
(02) 1300 859 856

**NZ:** VELUX New Zealand Ltd.  
0800 650 445

[www.velux.com](http://www.velux.com)